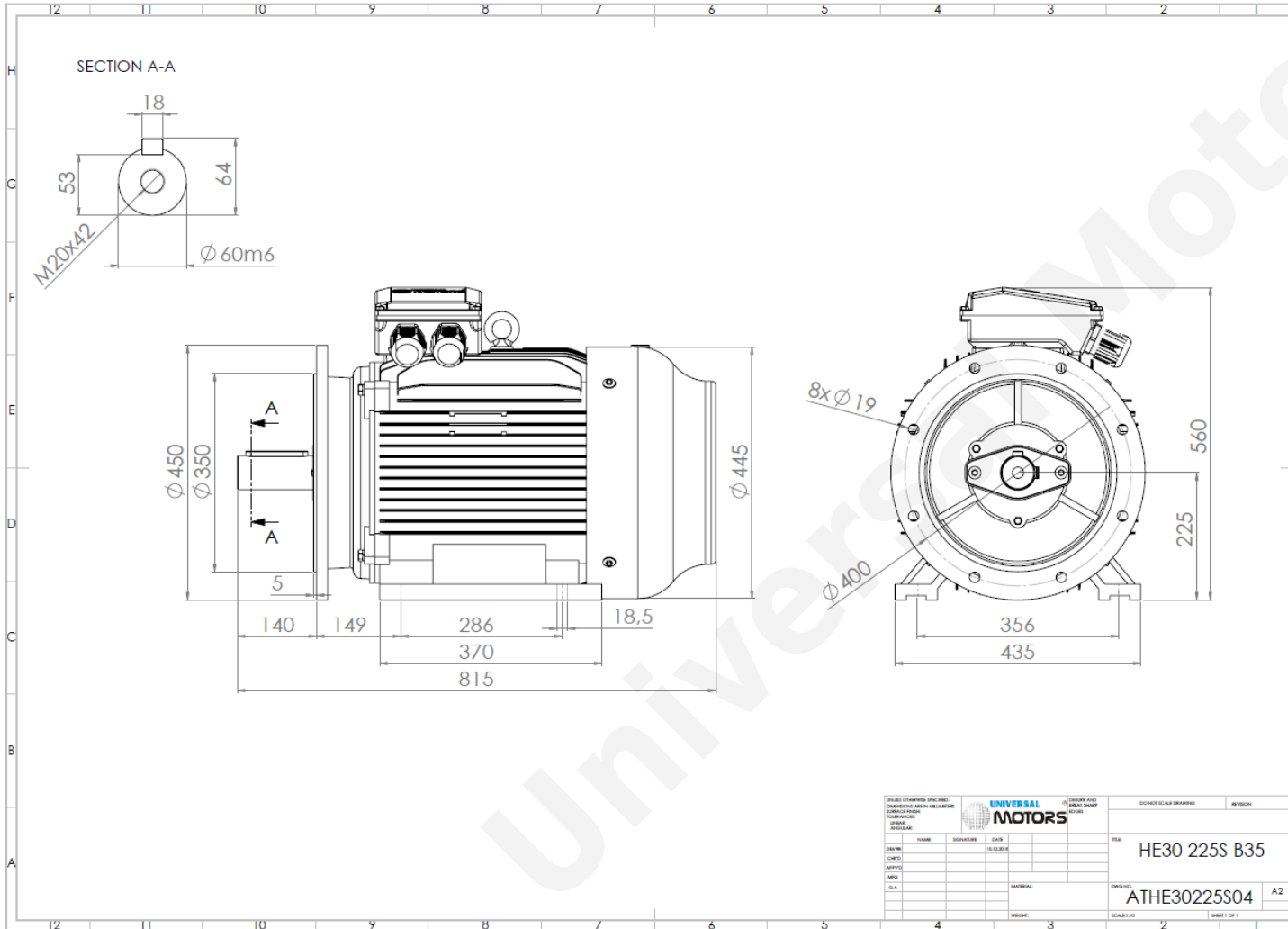




TECHNICAL DATA

Three Phase Electric Motors - Cast Iron Frame
 HE30 225 S-4 IE2
 37 kW / 50 Cv
 1480 RPM



Motor type:	HE30 225 S-4 IE2
Output:	37 kW / 50 Cv
Speed (min^{-1}):	1480 RPM
Frequency:	50 Hz
Voltage:	400 V
Current:	67.0 A
Power factor ($\text{Cos } \phi$):	0.86
Poles:	4
Insulation class:	F
Temperature rise Class:	B
Efficiency 50%:	92.5 %
Efficiency 75%:	93.0 %
Efficiency 100%:	92.7 %
Torque:	239 N.m
Tstarting/Tnominal:	2.2
Istarting/Inominal:	7.5
Tmaximum/Tnominal:	2.3
Noise:	67 Db(A)
Weight:	322 Kg
Bearing DE:	6313 C3
Bearing NDE:	6313 C3

Regime - S1

Altitude - 1000m

Environment Temperature - 40°C

CONTACTS:

UNIVERSAL MOTORS Tel: +351 252 299 080
 Rua de São Brás,745 Fax: +351 252 299 089
 4480-782 VILA DO CONDE Mail: geral@universalmotors.pt

* References applied only in the UK